

# NAPOLEONE 3130-3135

# PRECIOUS 3136-3137

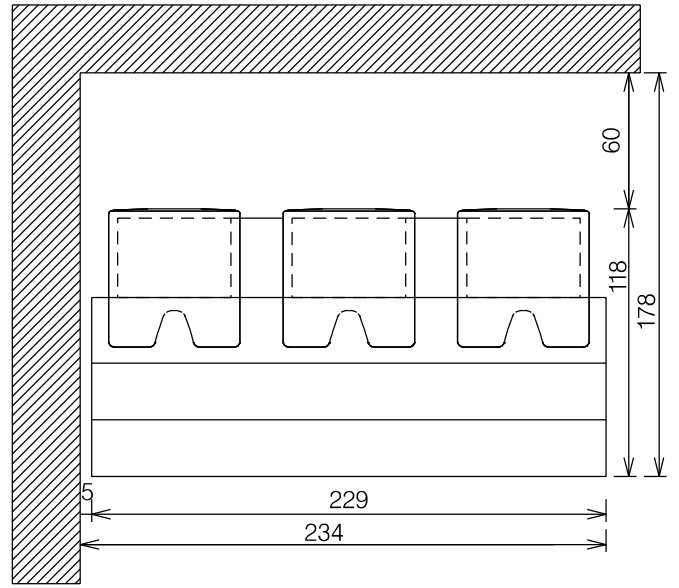
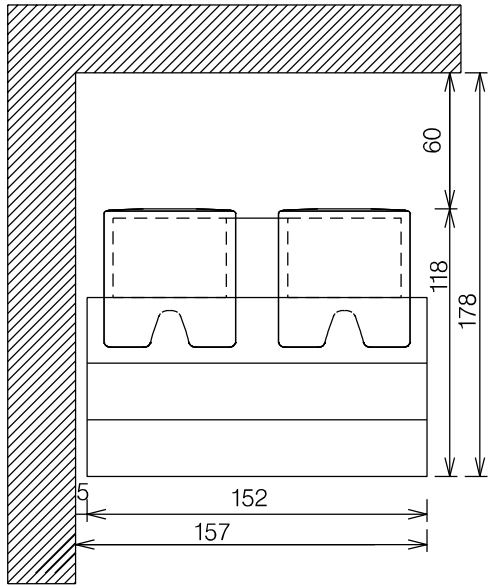
SCHEMA IDRAULICO

SCHEMA HYDRAULIQUE

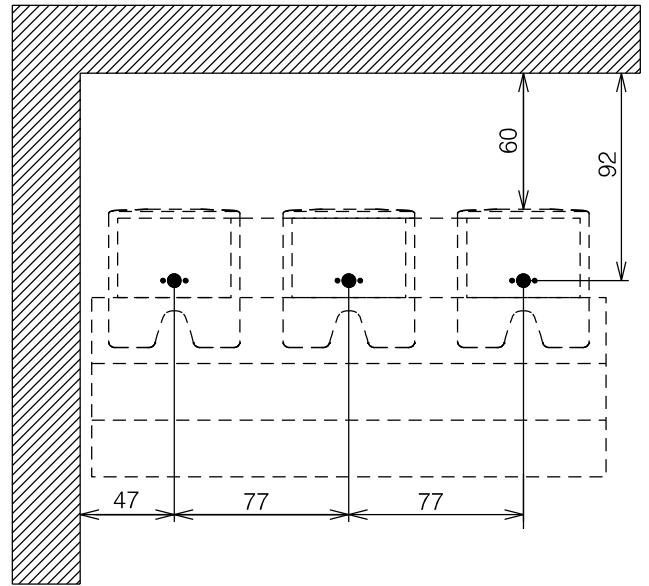
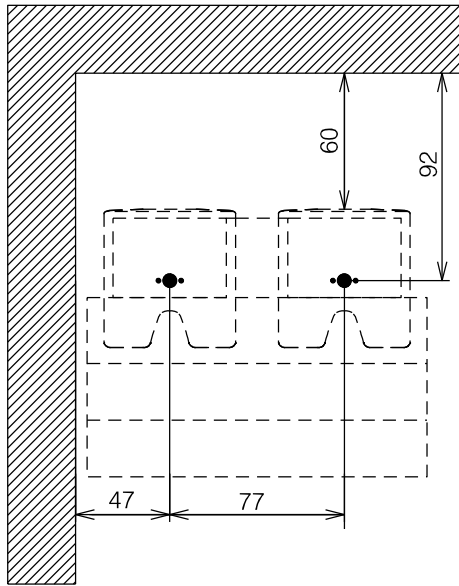
HYDRAULIC PLAN

HYDRAULISCHE PLAN

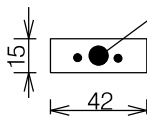
INGOMBRO TOTALE  
ENCOMBREMENT TOTAL  
TOTAL ENCUMBRANCE



POSIZIONE DEL CENTRO SCARICO  
POSITION DU CENTRE DE L'ÉCOULEMENT  
SITUATION OF THE DRAINING CENTER



SPAZIO UTILE  
ESPACE UTILE  
WORK SPACE



SCARICO MM 50  
ÉCOULEMENT MM50  
DRAINING MM50

