

POD 9001

SCHEMA IDRAULICO

SCHEMA HYDRAULIQUE

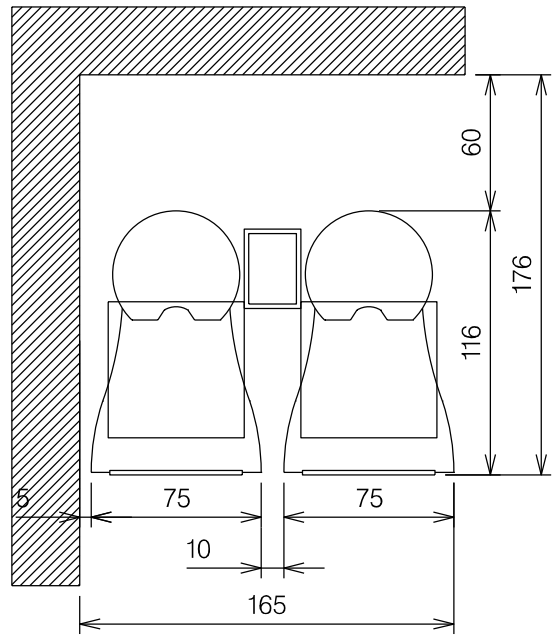
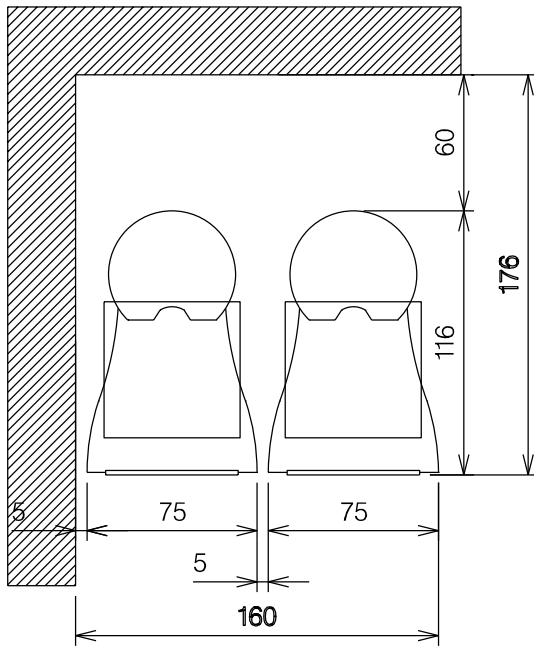
HYDRAULIC PLAN

HYDRAULISCHE PLAN

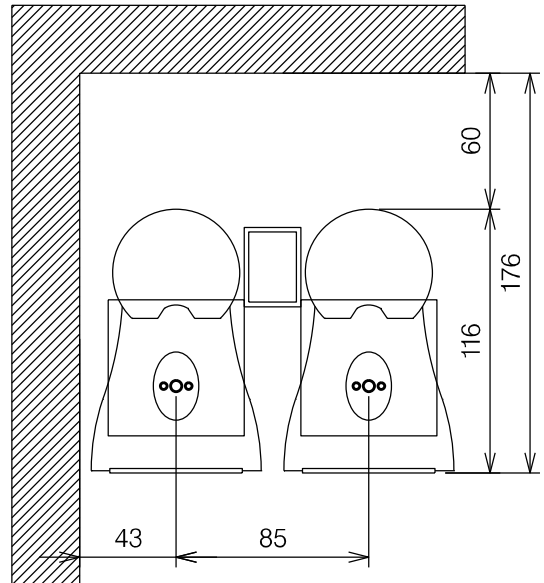
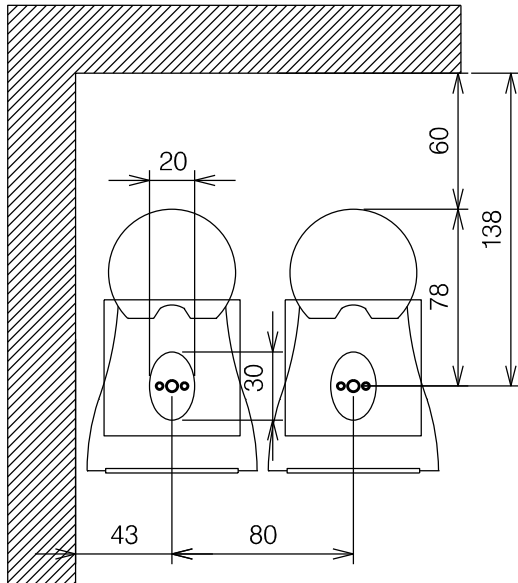
9001-9001

9001-9830-9001

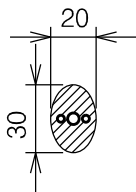
INGOMBRO TOTALE
ENCOMBREMENT TOTAL
TOTAL ENCUMBRANCE



POSIZIONE DEL CENTRO SCARICO
POSITION DU CENTRE DE L'ÉCOULEMENT
SITUATION OF THE DRAINING CENTER



SPAZIO UTILE
ESPACE UTILE
WORK SPACE



SCARICO A MURO
ÉCOULEMENT AU MUR
DRAINING AT THE WALL

MAX H

