

NIRVANA 3250 3260(relax)

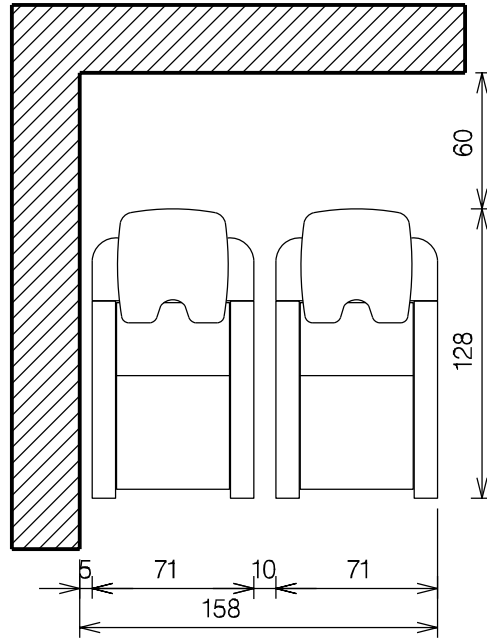
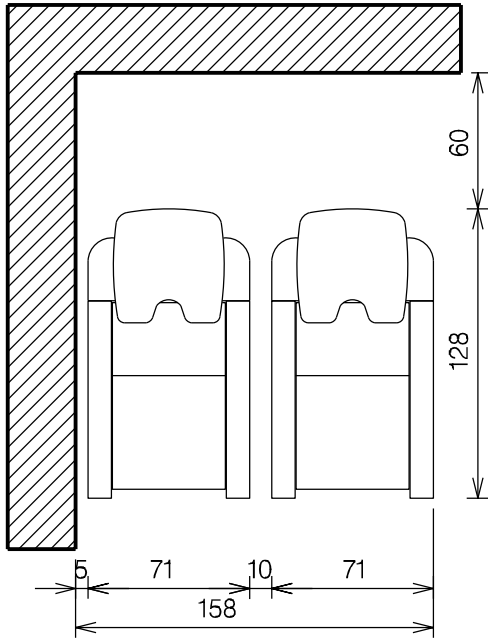
SCHEMA IDRAULICO

SCHEMA HYDRAULIQUE

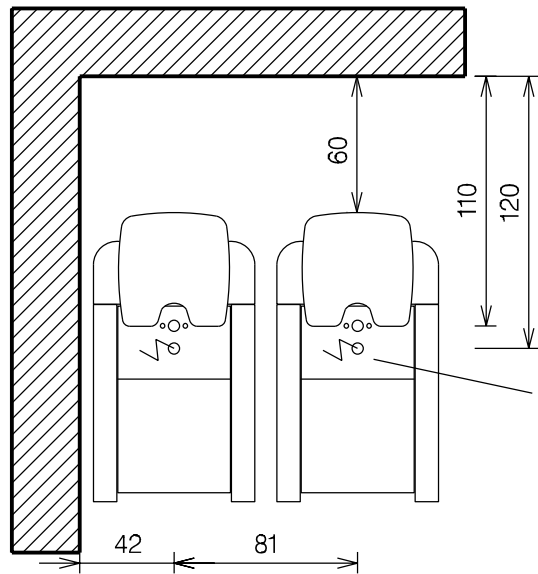
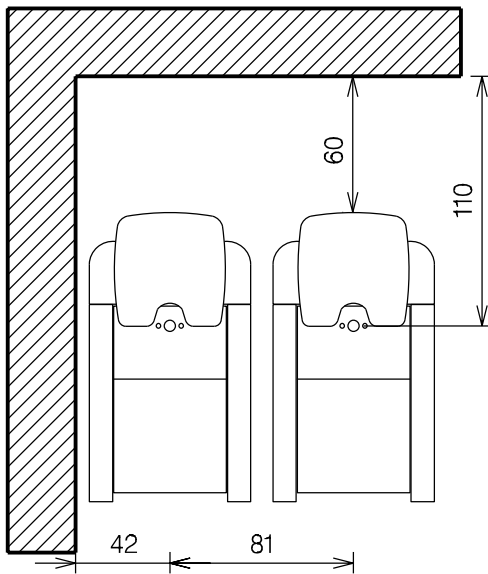
HYDRAULIC PLAN

HYDRAULISCHE PLAN

INGOMBRO TOTALE
ENCOMBREMENT TOTAL
TOTAL ENCUMBRANCE

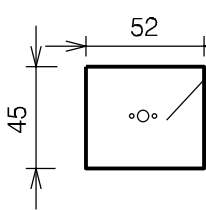


POSIZIONE DEL CENTRO SCARICO
POSITION DU CENTRE DE L'ÉCOULEMENT
SITUATION OF THE DRAINING CENTER

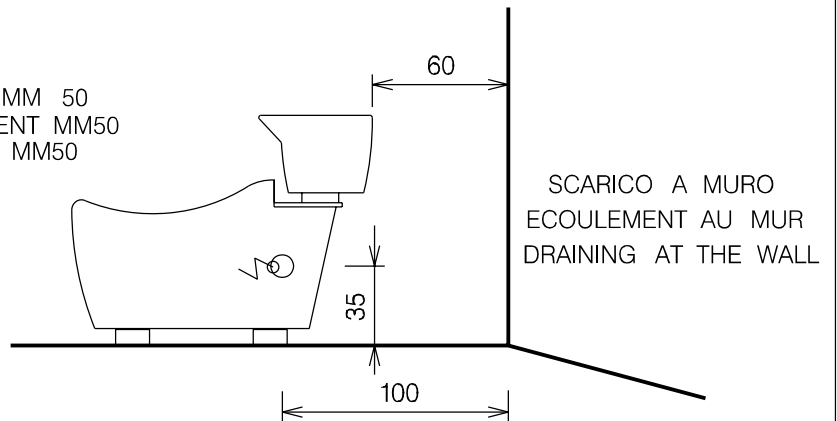


uscita del cavo elettrico da pavimento
sortie du cable électrique du sol
exit of the electric cable from the floor

SPAZIO UTILE
ESPACE UTILE
WORK SPACE



SCARICO MM 50
ÉCOULEMENT MM50
DRAINING MM50



SCARICO A MURO
ÉCOULEMENT AU MUR
DRAINING AT THE WALL