

VIP RELAX 3460

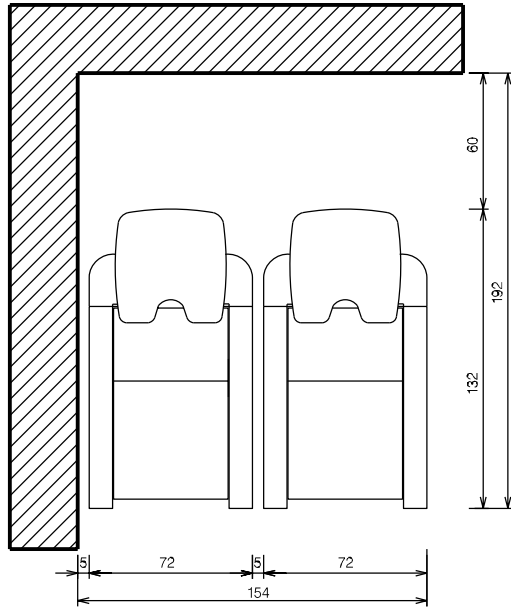
SCHEMA IDRAULICO

SCHEMA HYDRAULIQUE

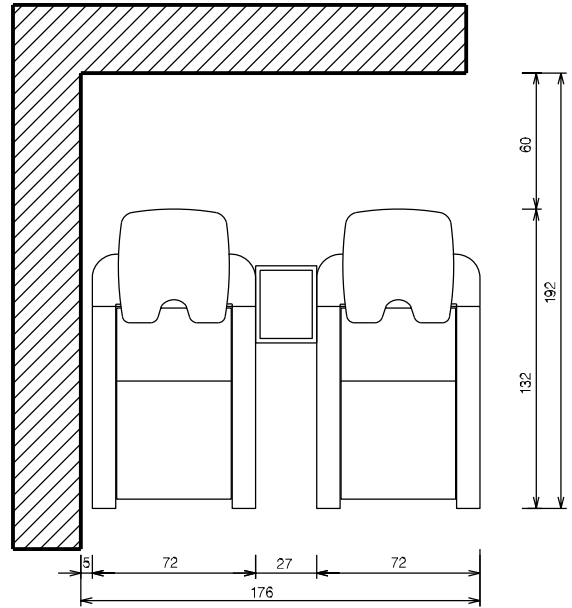
HYDRAULIC PLAN

HYDRAULISCHE PLAN

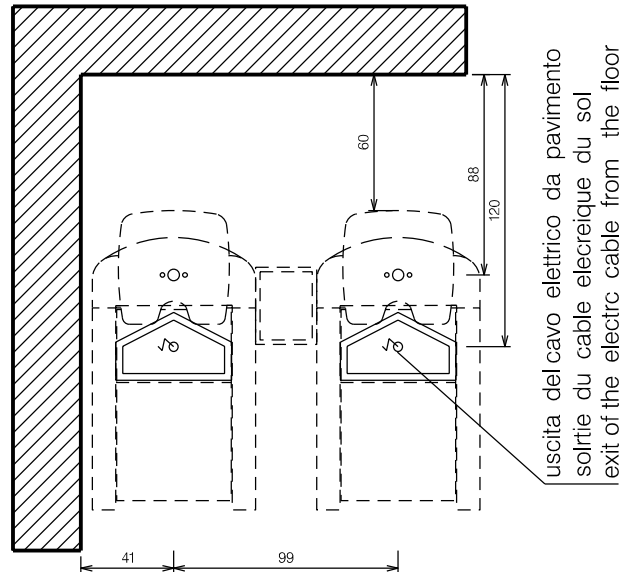
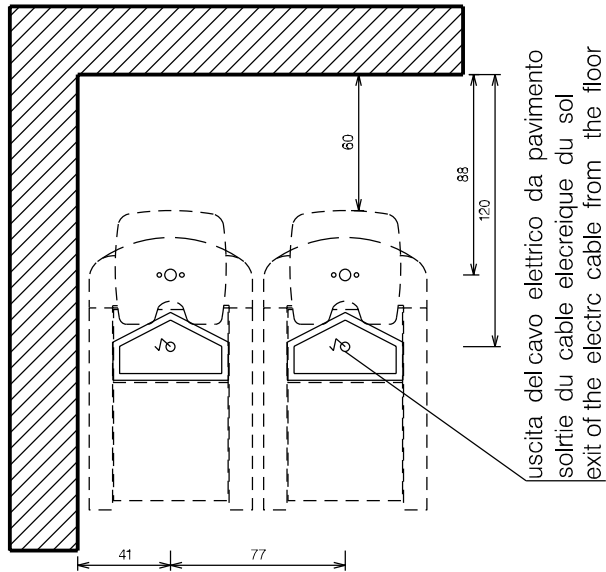
INGOMBRO TOTALE
ENCOMBREMENT TOTAL
TOTAL ENCUMBRANCE



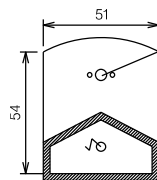
CON UTILITY
AVEC UTILITY
WITH UTILITY



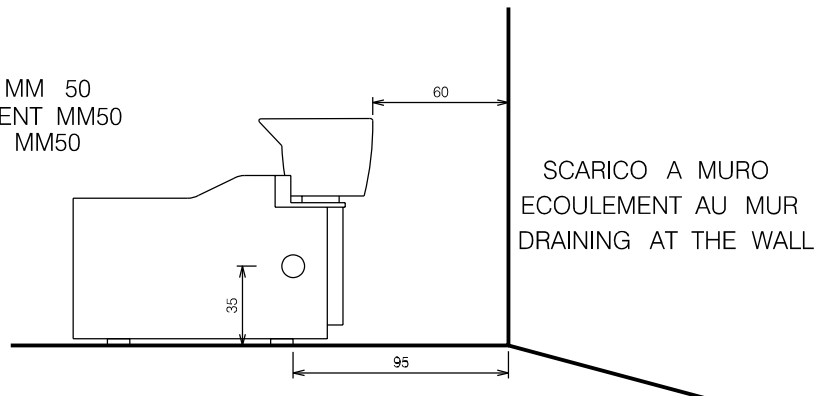
POSIZIONE DEL CENTRO SCARICO
POSITION DU CENTRE DE L'ECOULEMENT
SITUATION OF THE DRAINING CENTER



SPAZIO UTILE
ESPACE UTILE
WORK SPACE



SCARICO MM 50
ECOULEMENT MM50
DRAINING MM50



SCARICO A MURO
ECOULEMENT AU MUR
DRAINING AT THE WALL